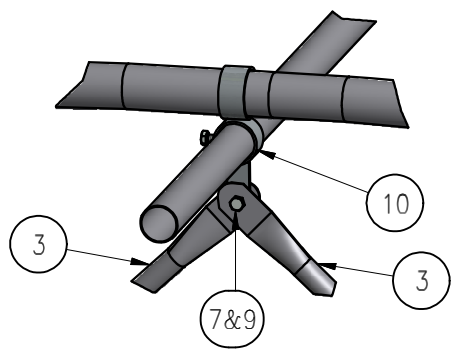
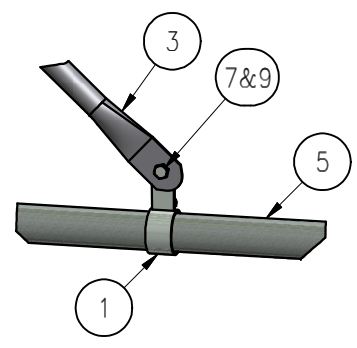


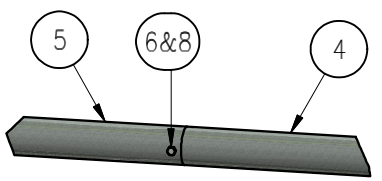
PARTS LIST FOR 27ft AS SHOWN			
ITEM	QTY	PART NUMBER	DESCRIPTION
1	2	BBB501	BRACE BAR BRACKET 50mm
2	2	BBB601	BRACE BAR BRACKET 60mm
3	2	CBH146	CROP BAR HANGER 1465mm X 32mm
4	1	CBP106	CROP BAR PIECE 1065mm X 50mm
5	1	CBP576	CROP BAR PIECE 5760mm X 50mm
6	1	HBT607	HEXAGON BOLT M6 X 70mm
7	5	HNN100	M10 NYLOCK NUT
8	1	HNN600	M6 NYLOCK NUT
9	5	HSS102	HEXAGON SETSCREW M10 X 25mm
10	1	HTR601	HOOP TO RIDGE BRACKET WITH BRACE PLATE 60mm



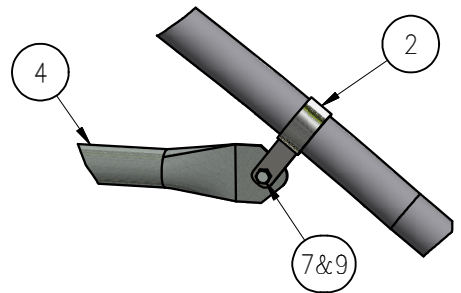
DETAIL ON 'A'



DETAIL ON 'B'




DETAIL ON 'C'



DETAIL ON 'D'

- Slide the BBB & HTR fittings onto the hoops which require crop bars.
- Offer the two crop bar pieces (CBP) up to the hoop at the required clearance height. If the clearance height is to be increased the CBP with the plain end will require cutting down to suit.
- Attach the CBP's to the BBB fittings on the hoops using the M10 nuts & bolts.
- To fit the crop bar hangers (CBH) slide the BBB fittings onto the CBP's. Attach the CBH to the BBB and HTR using the M10 nuts & bolts.
- When the CBP's and CBH's have been assembled and levelled use the M6 nut & bolt to fix the two CBP's together.



THIS DRAWING AND THE INFORMATION CONTAINED THERON IS THE EXCLUSIVE PROPERTY OF NP STRUCTURES LTD. IT MUST NOT BE COPIED, OR USED WITHOUT THE PRIOR WRITTEN CONSENT OF NP STRUCTURES, EXCEPT WHERE SUCH INFORMATION WAS SUPPLIED TO NP STRUCTURES LTD BY THE CLIENT TO WHOM THE DRAWING IS SUPPLIED.

DO NOT SCALE  
IF IN DOUBT ASK!

THIS DRAWING HAS BEEN DRAWN TO THIRD ANGLE PROJECTION

Mill Green, Waterside Road, Colne, Lancs BB8 0TA  
sales@npstructures.co.uk  
www.northernpolytunnels.co.uk/  
01282 873100

Crop Bar V	REV 0
------------	----------