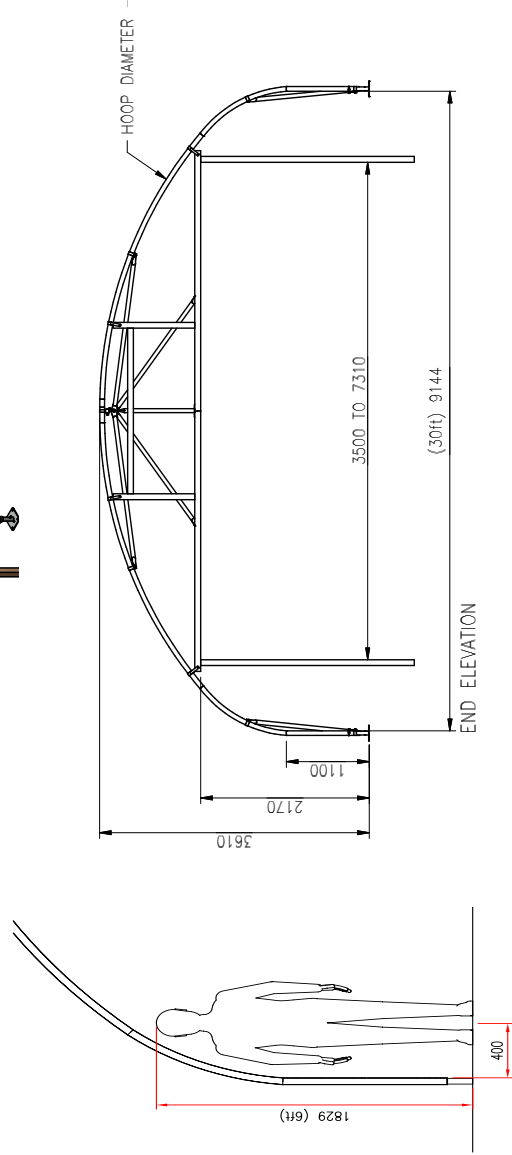
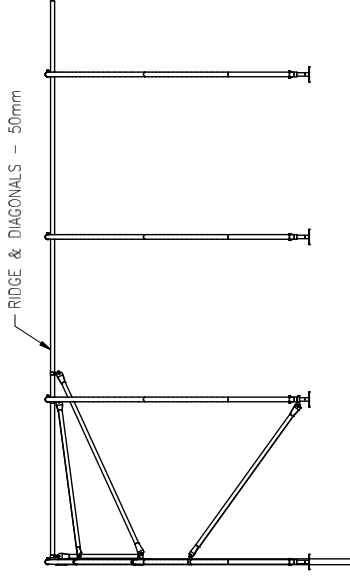
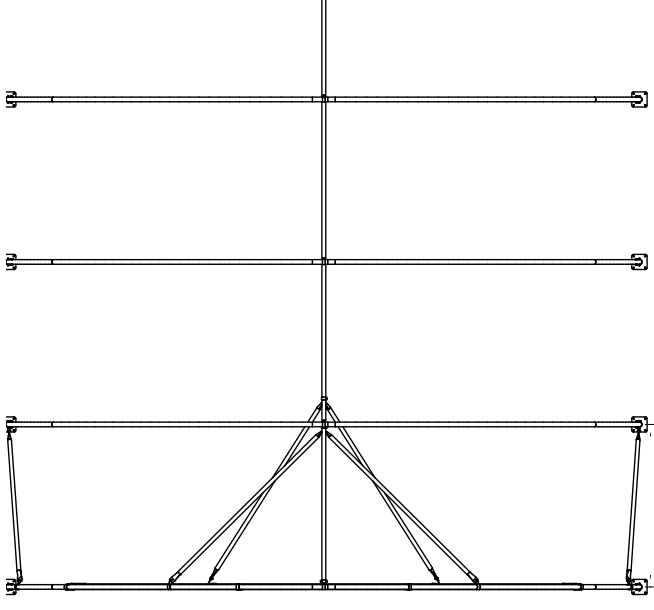
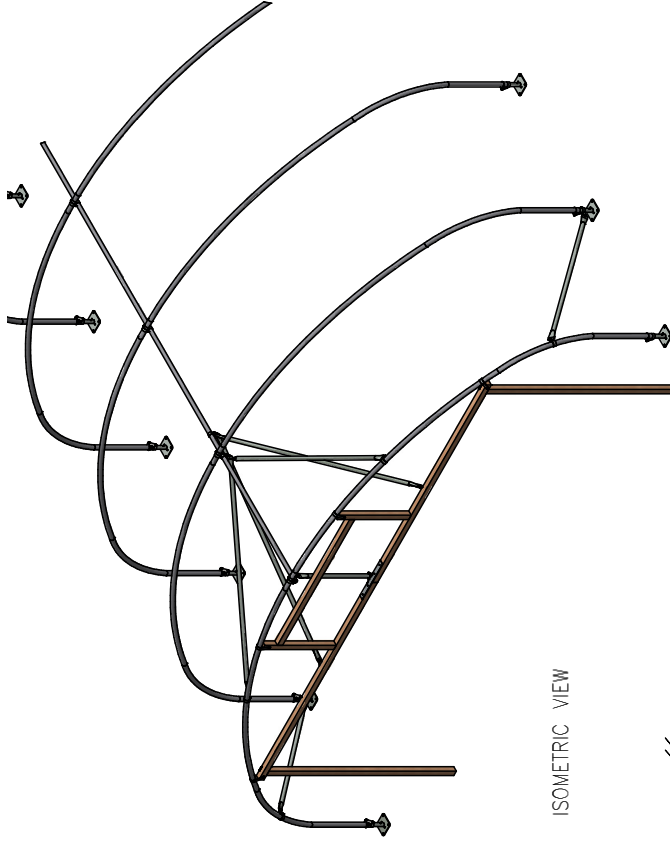


# 30ft Single Span



SIDE ELEVATION

DOOR LINTEL HEIGHT (UNDERSIDE)	2.1m (6'11")
DOOR WIDTH (SINGLE/DOUBLE)	1.43m (4'8") / 2.85m (9'4")
OVERALL HEIGHT	3.61m (11'10")
HEIGHT OF STRAIGHT SIDE	1.10m (3'7")
STANDARD HOOP SPACINGS	1.83m (6')
DIAGONAL BRACINGS PER END	8
HOOP DIAMETER	60mm
BRACING DIAMETER	50mm