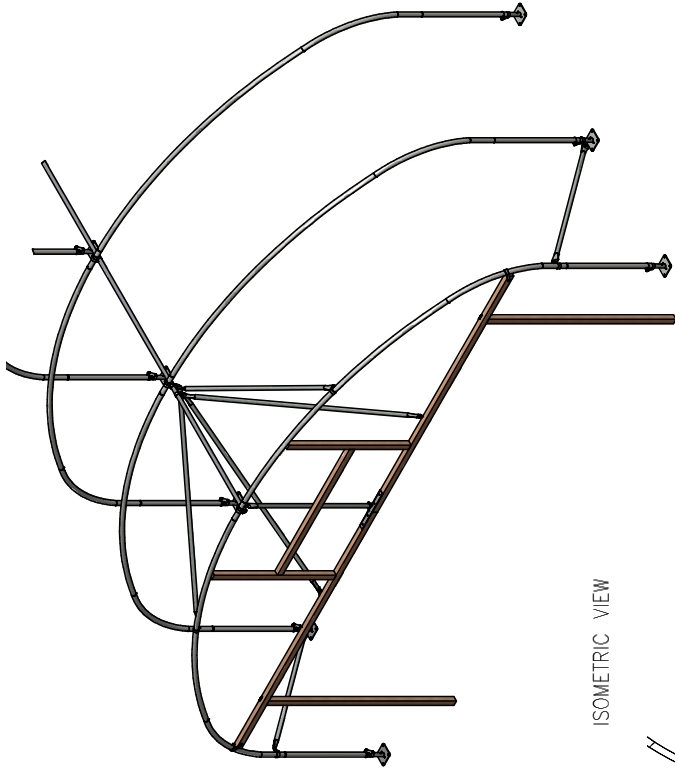
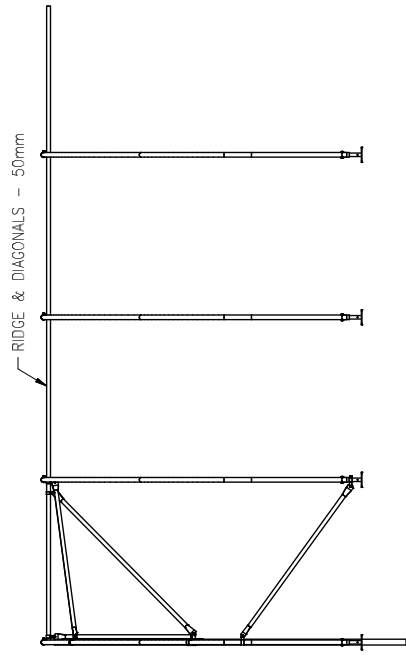
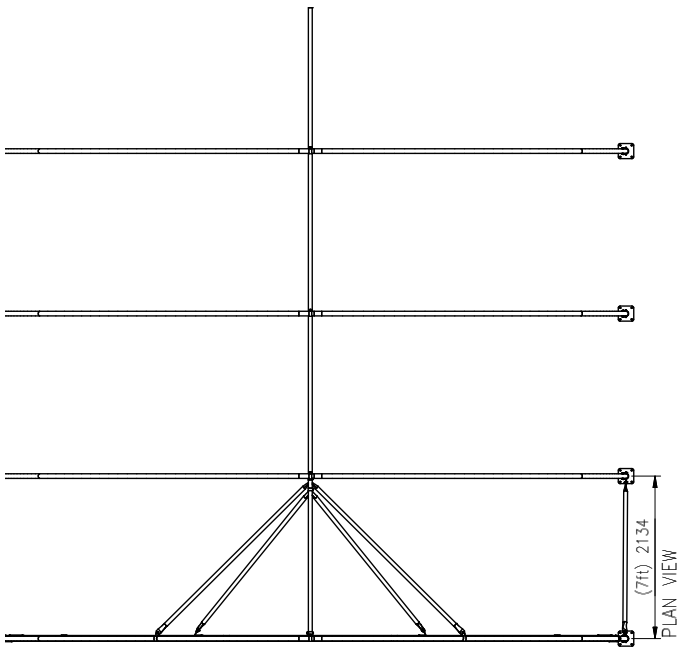
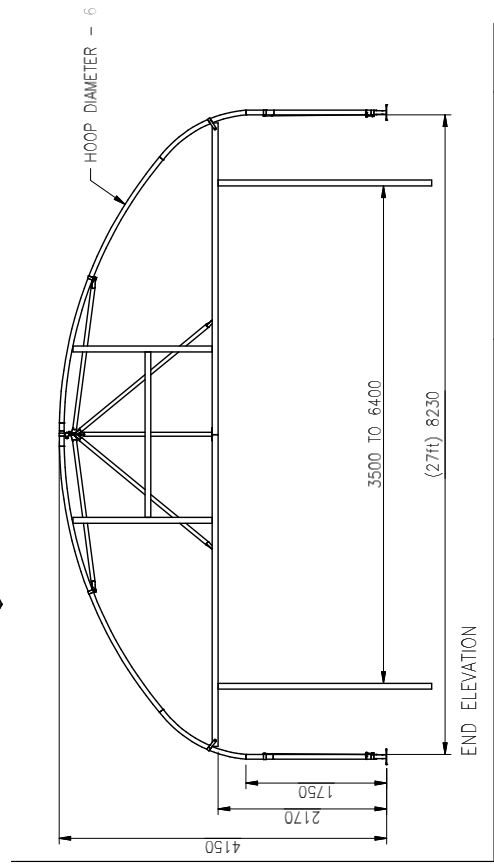
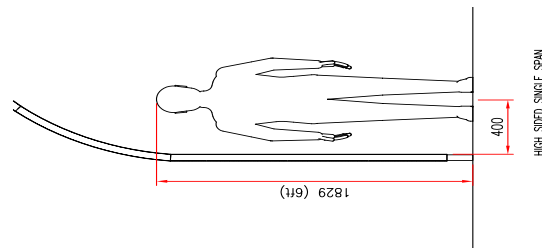


# 27ft Extra High Single Span



ISOMETRIC VIEW



DOOR LINTEL HEIGHT (UNDERSIDE)	2.1m (6'11")
DOOR WIDTH (SINGLE/DOUBLE)	1.43m (4'8") / 2.85m (9'4")
GUTTER HEIGHT	2.2 - 2.4m (7'2" - 7'10")
OVERALL HEIGHT	4.15m (13'7")
HEIGHT OF STRAIGHT SIDE	1.75m (5'9")
STANDARD HOOP SPACINGS (W/O GUTTERS)	2.44m (6')
DIAGONAL BRACINGS PER END	5
HOOP DIAMETER	50mm
BRACING DIAMETER	50mm