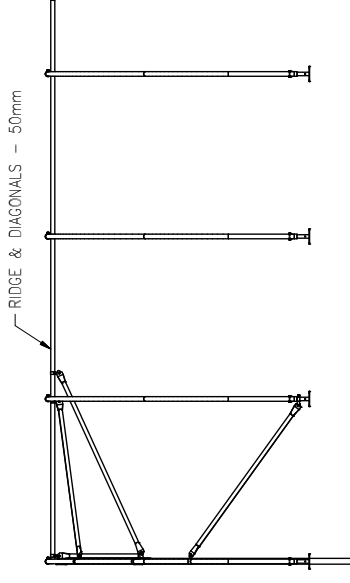
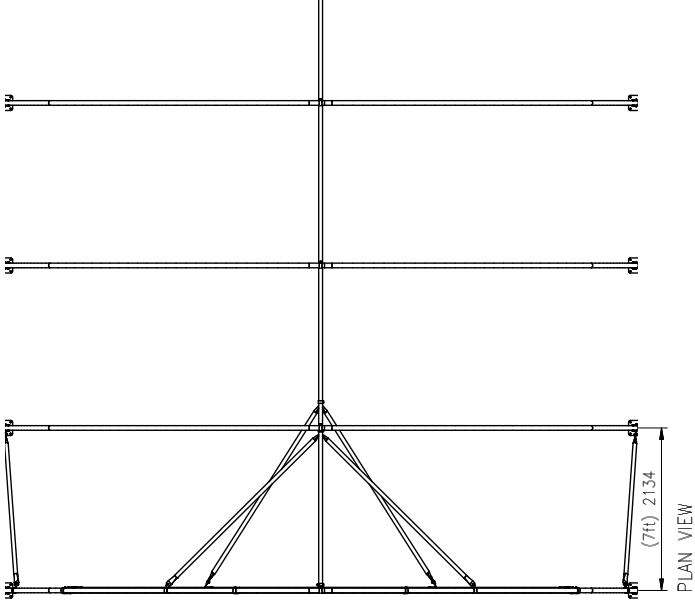
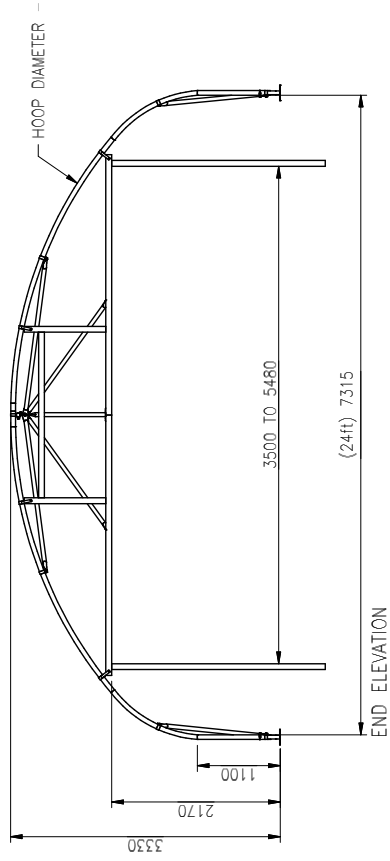
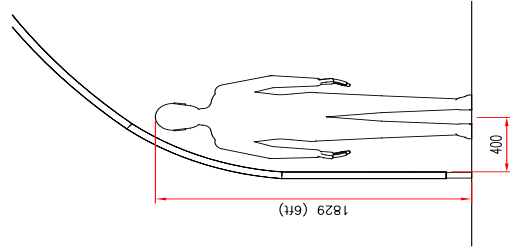
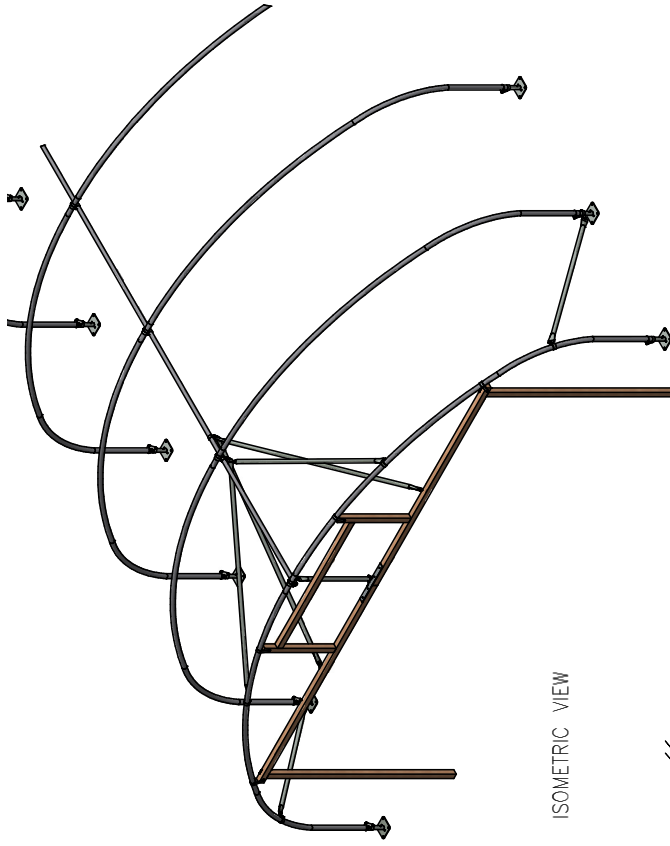


24ft Single Span



DOOR LINTEL HEIGHT (UNDER-SIDE)	2.1m (6'11")
DOOR WIDTH (SINGLE/DOUBLE)	1.43m (4'8") / 2.85m (9'4")
OVERALL HEIGHT	3.33m (10'11")
HEIGHT OF STRAIGHT SIDE	1.10m (3'7")
STANDARD HOOP SPACINGS	2.13m (7')
DIAGONAL BRACINGS PER END	5
HOOP DIAMETER	60mm
BRACING DIAMETER	50mm