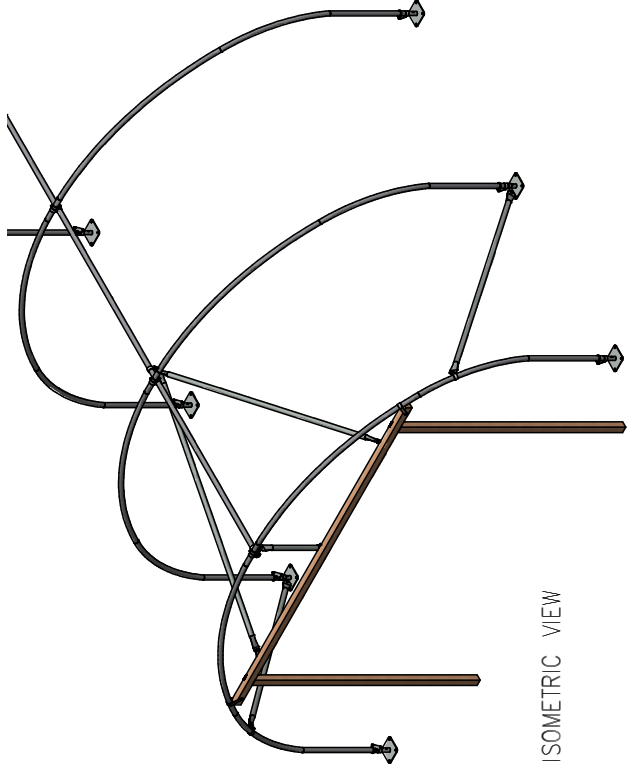
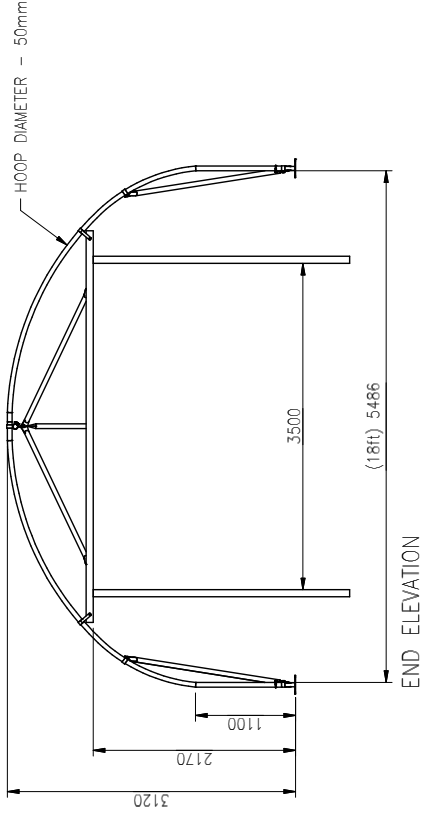
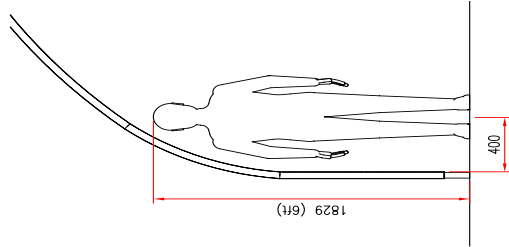


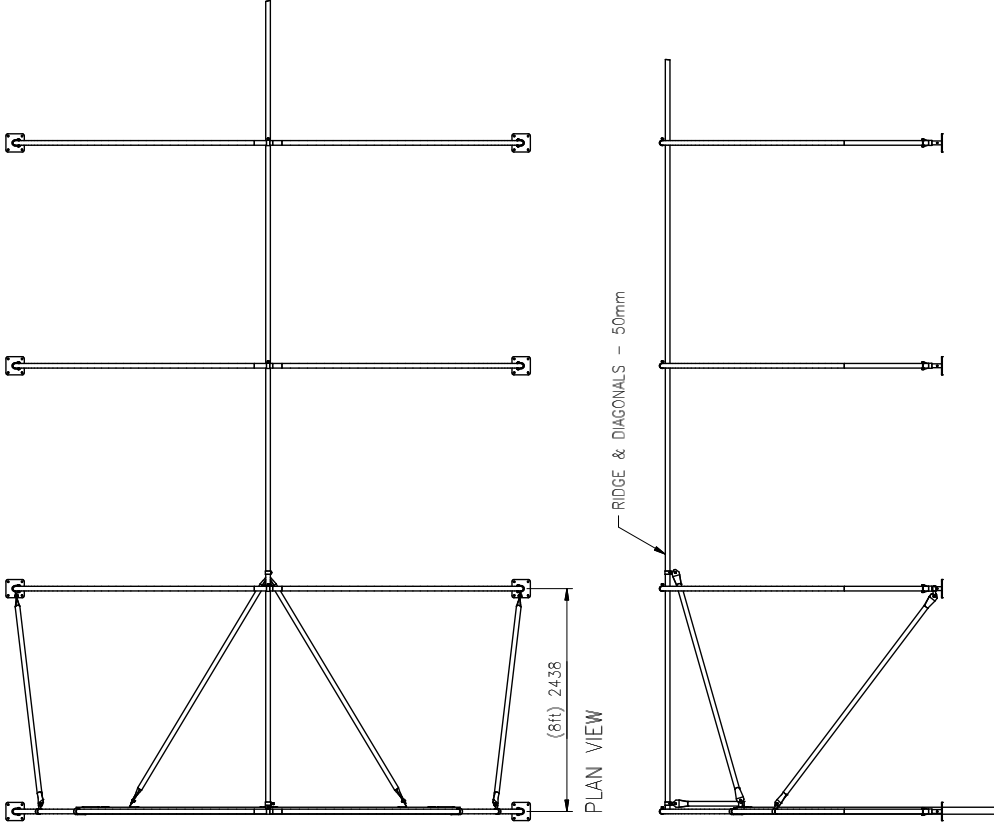
# 18ft Single Span



ISOMETRIC VIEW



END ELEVATION



PLAN VIEW

— RIDGE & DIAGONALS - 50mm

SIDE ELEVATION

DOOR LINTEL HEIGHT (UNDER-SIDE)	2.1m (6'11")
DOOR WIDTH (SINGLE/DOUBLE)	1.43m (4'8") / 2.85m (9'4")
OVERALL HEIGHT	3.12m (10'3")
HEIGHT OF STRAIGHT SIDE	1.10m (3'7")
STANDARD HOOP SPACINGS	2.44m (8')
DIAGONAL BRACINGS PER END	5
HOOP DIAMETER	50mm
BRACING DIAMETER	50mm