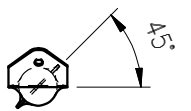
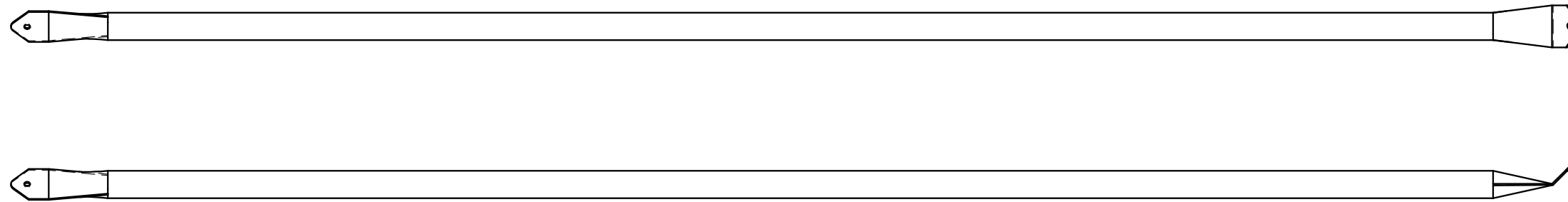
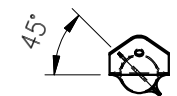
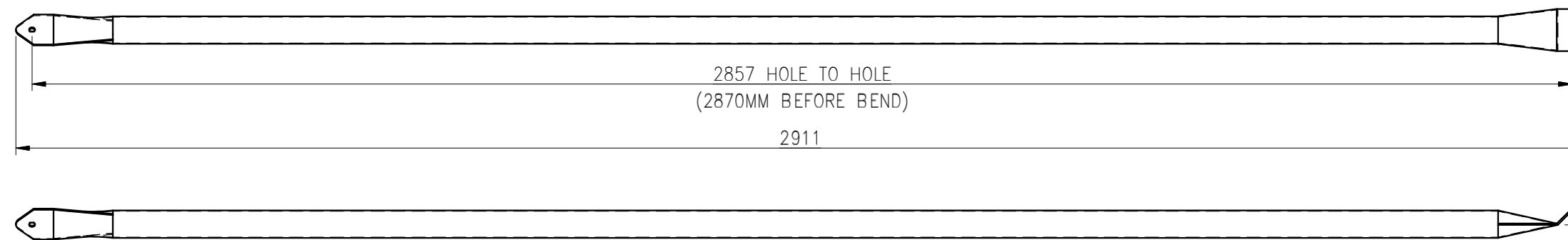


RIGHT HAND SHOWN



LEFT HAND SHOWN



2857 HOLE TO HOLE
(2870MM BEFORE BEND)
2911

MANUFACTURING INFORMATION THE FOLLOWING NOTES APPLY TO ALL MANUFACTURING DRAWINGS & ANY DEVIATION FROM THESE NOTES MAY RESULT IN THE MANUFACTURED ITEM(S) BEING REJECTED

1. MANUFACTURER IS TO ENSURE THAT ANY FABRICATIONS ARE PRODUCED TRUE & SQUARE TO GOOD ENGINEERING PRACTICE - PRIOR TO ANY MACHINING
2. ALL FABRICATION DIMENSIONS, I.E. UN-MACHINED MATERIAL SIZES ARE TO BE WITHIN A LIMIT OF 2.5mm (PRIOR TO M/C). THIS IS NOT AN ACCUMULATIVE TOLERANCE AND ANY OVERALL DIMENSIONS ARE TO BE WITHIN ±3.00mm
3. ALL DIMENSIONS TO MACHINED SURFACES, HOLE CENTRES & SLOTS ETC ARE TO BE WITHIN LIMITS SHOWN IN GENERAL TOLERANCE BOX, U.O.S.
4. ALL HOLES & SLOTS ARE TO BE MACHINED TO LIMITS SHOWN IN GENERAL TOLERANCE BOX, TO BE SQUARE & PARALLEL TO DATUM MACHINED FACE
5. ALL MACHINED FACES ARE TO BE SQUARE TO WITHIN ±0.25° U.O.S.
6. ALL MACHINED FACES ARE TO BE PARALLEL TO WITHIN ±0.025mm U.O.S.
7. ALL BORES & DIAMETERS ARE TO BE CONCENTRIC TO WITHIN ±0.05mm U.O.S.

GENERAL TOLERANCES ONLY TO MACHINED SURFACE		MATERIAL MILD STEEL	
DIMENSIONS SHOWN	TOLERANCE	DIMENSIONS SHOWN	TOLERANCE
X	± 1.00mm	X,XX	±0.25mm
X.X	± 0.50mm	X,XXX	±0.13mm

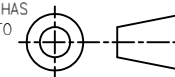
THIS DRAWING AND THE INFORMATION CONTAINED THEREON IS THE EXCLUSIVE PROPERTY OF NP STRUCTURES LTD. IT MUST NOT BE COPIED, OR USED WITHOUT THE PRIOR WRITTEN CONSENT OF NP STRUCTURES, EXCEPT WHERE SUCH INFORMATION WAS SUPPLIED TO NP STRUCTURES LTD BY THE CLIENT TO WHOM THE DRAWING IS SUPPLIED.



MILL GREEN, WATERSIDE ROAD, COLNE, LANCASHIRE. BB8 0TA
tel: +44 (0) 1282 873120 fax: +44 (0) 1282 871733
email: info@npstructures.co.uk web: www.npstructures.co.uk

DO NOT SCALE
IF IN DOUBT ASK

THIS DRAWING HAS BEEN DRAWN TO THIRD ANGLE PROJECTION



PRODUCT CODE DBB296	DRAWN BY MJW
FIRST USED	DATE DRAWN 07/03/2018
SIMILAR TO	SCALE @ SIZE 1:10 @ A3

DRAWING TITLE DIAGONAL BRACE BAR INNER ANGLED (HANDED PAIR)	
IDENTIFICATION NUMBER DBB296	REV 0